

# SUNNY TECHNOLOGY

## Galvanometers

Sunny Technology offers a selection of galvo-scanners to professional system integrators who desire to assemble their own scanning systems.



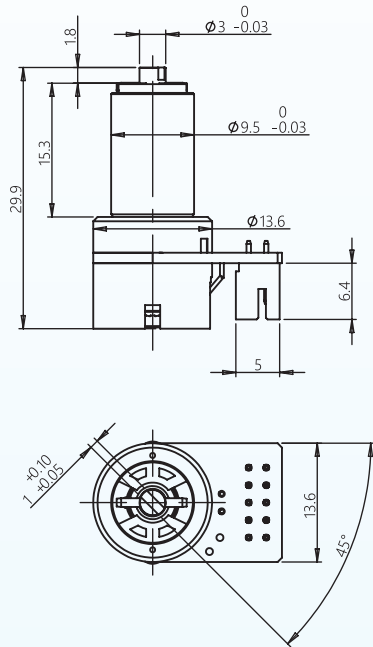
Model	SS9107	SS8107C	SS9215	SS9110	SS9310L	SS9230	SS9240	SS9250
Aperture size( mm)	3, 5	3, 5, 7	3, 5, 7	8.5	10,12	15,20	25,30	40,50
Max. scan angle	±20°							
Small step response time <sup>(1)</sup> ( ms )	0.15	0.14	0.13	0.19	0.2	0.35	0.52	1.2
Tracking error ( ms )	0.12	0.1	0.09	0.1	0.11	0.19	0.28	0.65
Rotor Inertia, g*cm <sup>2</sup> , ±10%	0.015	0.025	0.032	0.127	0.22	1.84	1.98	16.2
Torque constant, dyne-cm/amp, ±10%	0.1*10 <sup>5</sup>	0.26*10 <sup>5</sup>	0.31*10 <sup>5</sup>	0.56*10 <sup>5</sup>	0.8*10 <sup>5</sup>	1.86*10 <sup>5</sup>	2.0*10 <sup>5</sup>	7.07*10 <sup>5</sup>
Maximum Rotor Temperature (°C)	110							
Repeatability ( μRad. )	<8	<8	<8	<8	<8	<8	<8	<8
Linearity <sup>(2)</sup>	≥99.90%	≥99.90%	≥99.90%	≥99.90%	≥99.90%	≥99.90%	≥99.90%	≥99.90%
Zero drift (μRad./°C)	<10	<10	<10	<10	<10	<10	<10	<10
Scale drift ( ppm/°C)	<50	<50	<50	<50	<50	<50	<50	<50
Long-term drift over 8 hours ( mrad.)	<0.5	<0.5	<0.5	<0.5	<0.5	<0.5	<0.5	<0.5
Max. RMS current (A/axis)	1.9	2	3.4	3.5	1.4	4	7	6.5
Peak current (A)	5.2	10	16	15	20	20	22	16
Output Signal(±10%), uA Common Mode ( with an AGC current of 30 mA)	530							
Output Signal(±10%), uA Differential Mode ( at common mode current of 530 uA)	22							
Operating temperature	25°C±10°C							
Weight ( without cables ) ( g )	15	31	27	45	164	230	328	505

- All angles are in mechanical degrees.

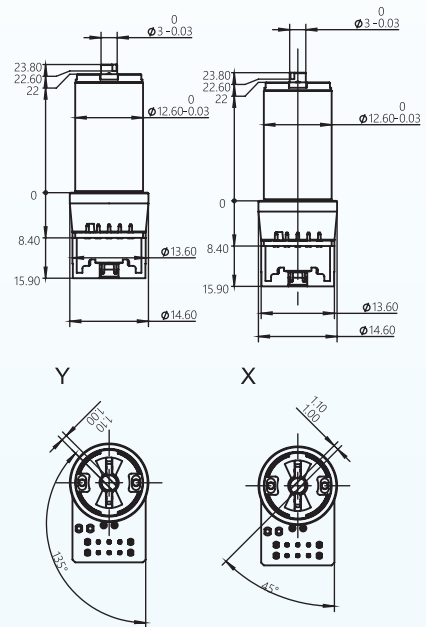
- All above specifications are applicable after 60 sec warm-up.

(1) Settling to 1% of full scale with Min. Y mirror which the scanner can carry.

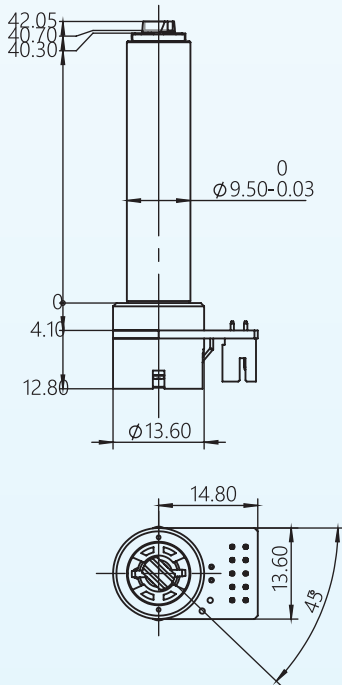
(2) Within ±20° optical angle.



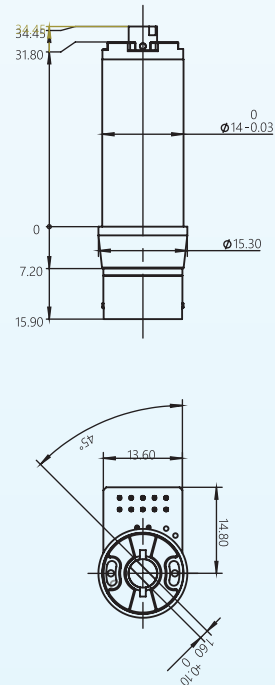
SS9107



SS8107C

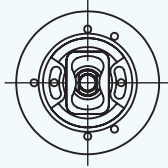
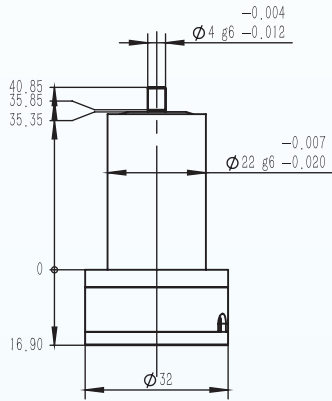


SS9215

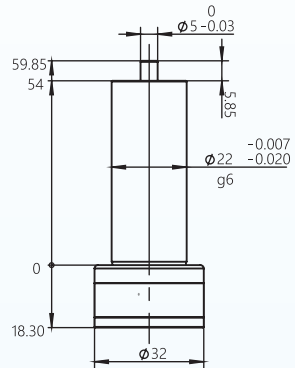


SS9110

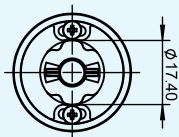
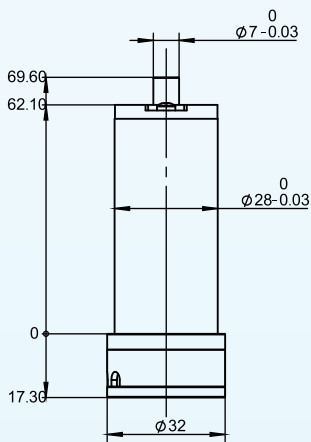
# SUNNY TECHNOLOGY



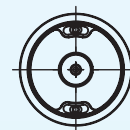
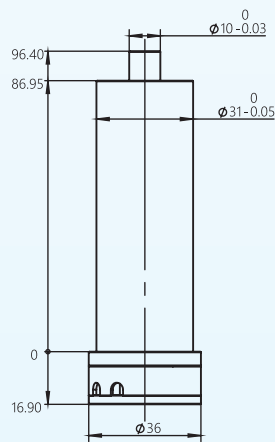
SS9310L



SS9230



SS9240



SS9250